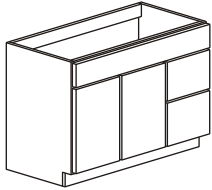
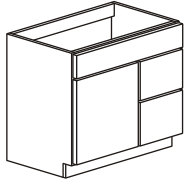


# Assembly Instructions

Vanity Sink 30" or 36"  
w/2 Drawers on Left or Right

VSD30-2  
VSD36-2



<b>6</b> 0540 0005	<b>6</b> 0540 0025	<b>6</b> 0540 0015	<b>12</b> 0540 0040
<b>3</b> 0560 0015	<b>2</b> 0540 0030	<b>2</b> VSD36 ONLY 0540 0110	<b>2</b> VSD36 ONLY 0540 0115
<b>16</b> 0540 0090	<b>4</b> 0540 0045	<b>2</b> 0540 0095	<b>4</b> 0540 0100
<b>2</b> 0550 0070	<b>2</b> 0530 0075	<b>2</b> 0530 0070	<b>3-30"</b> <b>4-36"</b> 0550 0025
<b>2-30"</b> <b>4-36"</b> 0510 0100	<b>2</b> LEFT CABINET SLIDE	<b>2</b> RIGHT CABINET SLIDE	
<b>2-30"</b> <b>4-36"</b> 0510 0055	LEFT DRAWER SIDE 0530 0030	RIGHT DRAWER SIDE	

**1**

x 6

x 4

x 2

**2**

x 4

x 2

Drawers on the RIGHT shown. Place hardware on opposite gable to have drawers on the LEFT.

**A** LEFT HAND GABLE

**B** RIGHT HAND GABLE

**C** ASSEMBLY SHELF

**D** BACK RAIL

**E** SUBPANEL

**F** CENTER GABLE

**G** HINGE STRIP (1 VSD36 ONLY)

**H** TOE KICK

**I** DRAWER BOTTOM (2)

**J** DRAWER BACK (2)

**K** 10" H DRAWER FACE (1)

**L** 11" H DRAWER FACE (1)

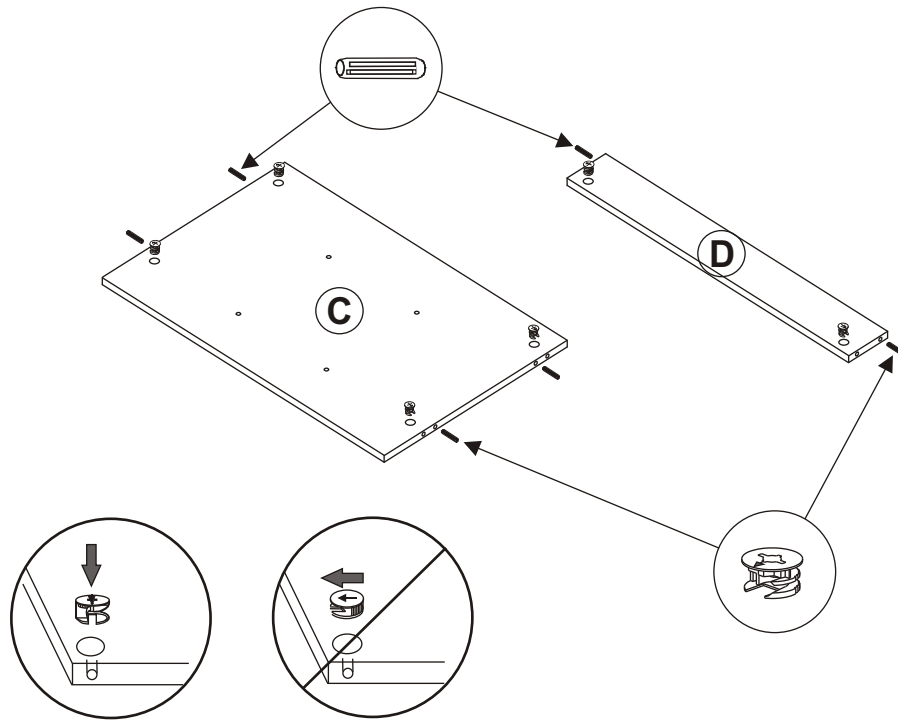
**M** SINK FACE (1)

**N** DOOR (1-30" 2-36")

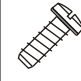
3

 x 6

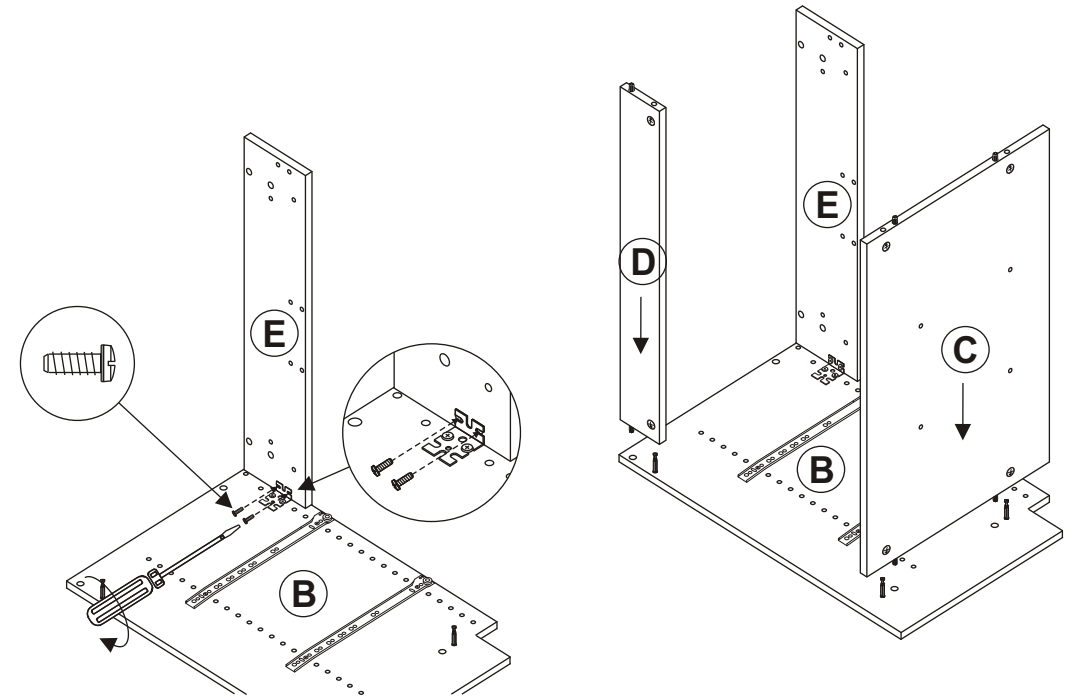
 x 6



4

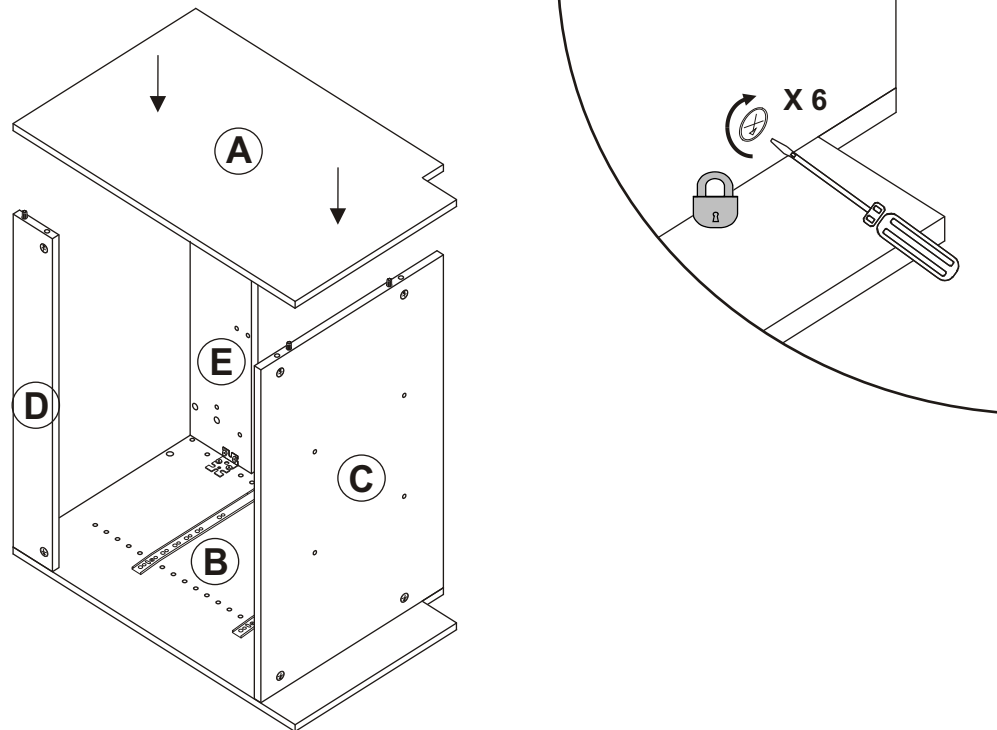
 x 2

E → B  
C → B  
D → B



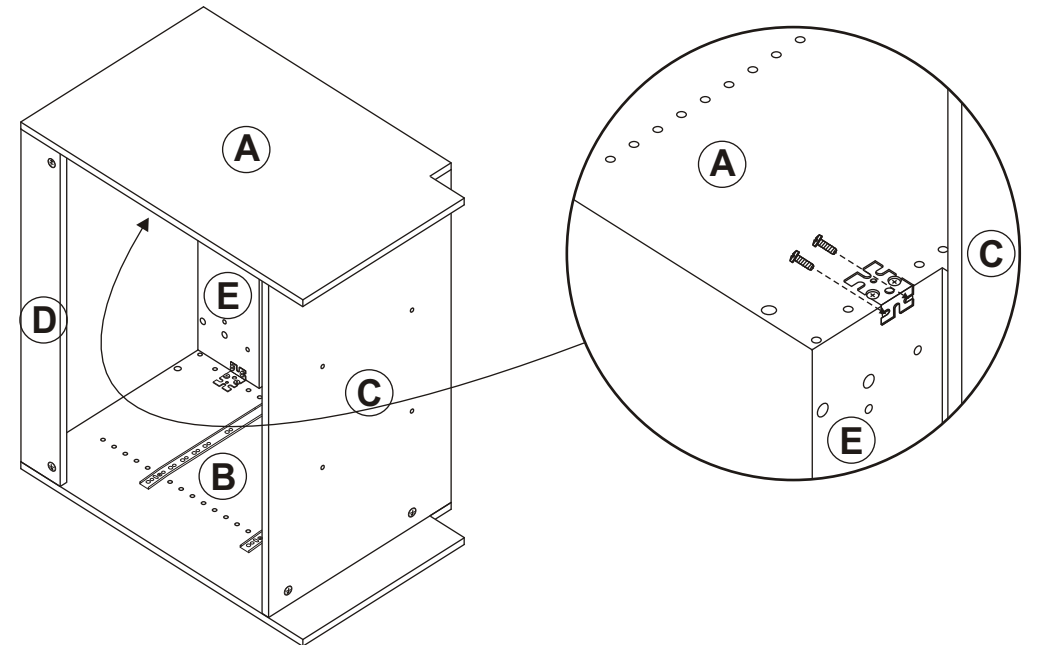
5

A → C, D  
& E



6

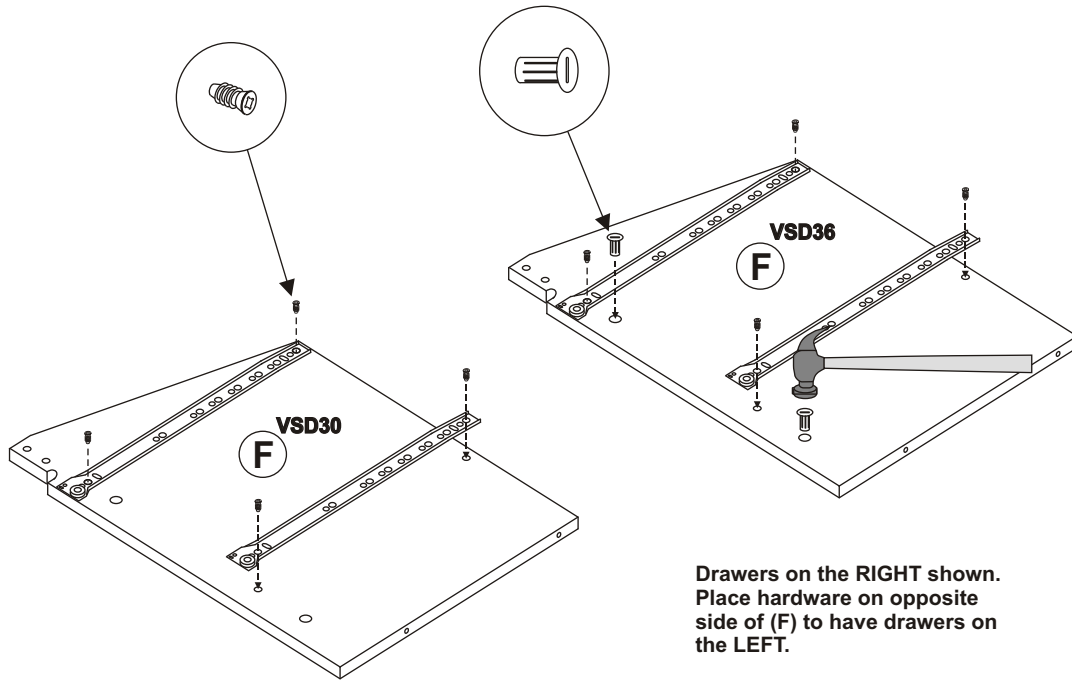
 x 2



7

x 4

VSD36 ONLY  
x 2



Drawers on the RIGHT shown.  
Place hardware on opposite  
side of (F) to have drawers on  
the LEFT.

8

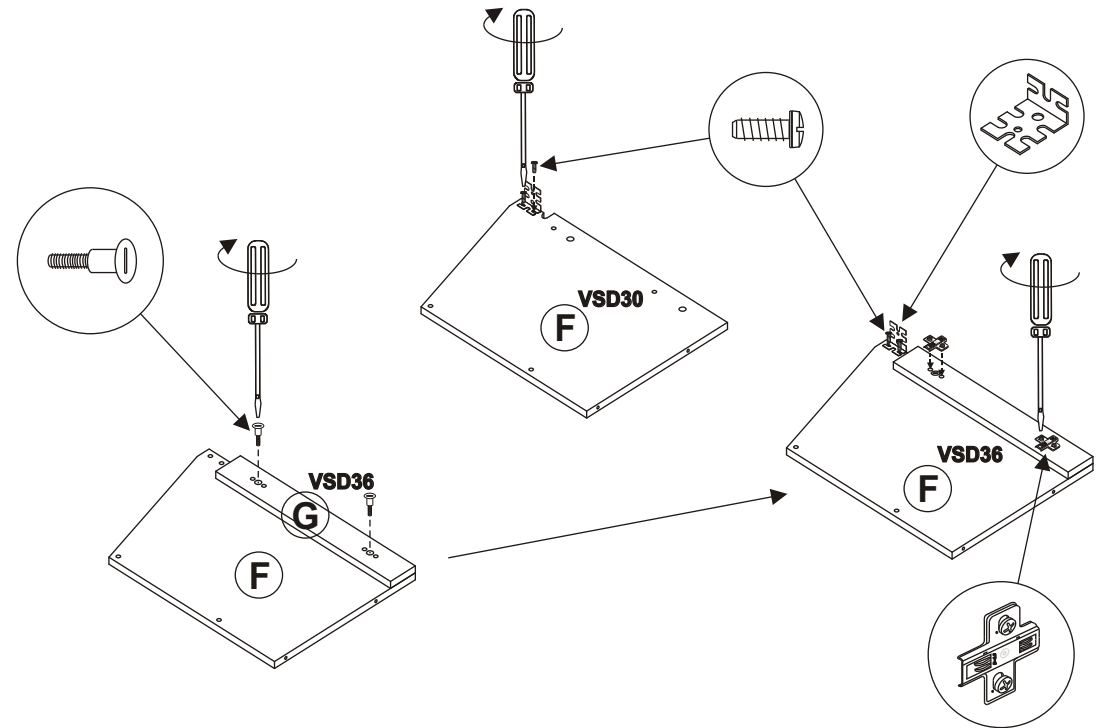
VSD36 ONLY  
x 2

G → F  
VSD36 ONLY

VSD36 ONLY  
x 2

x 2

x 1

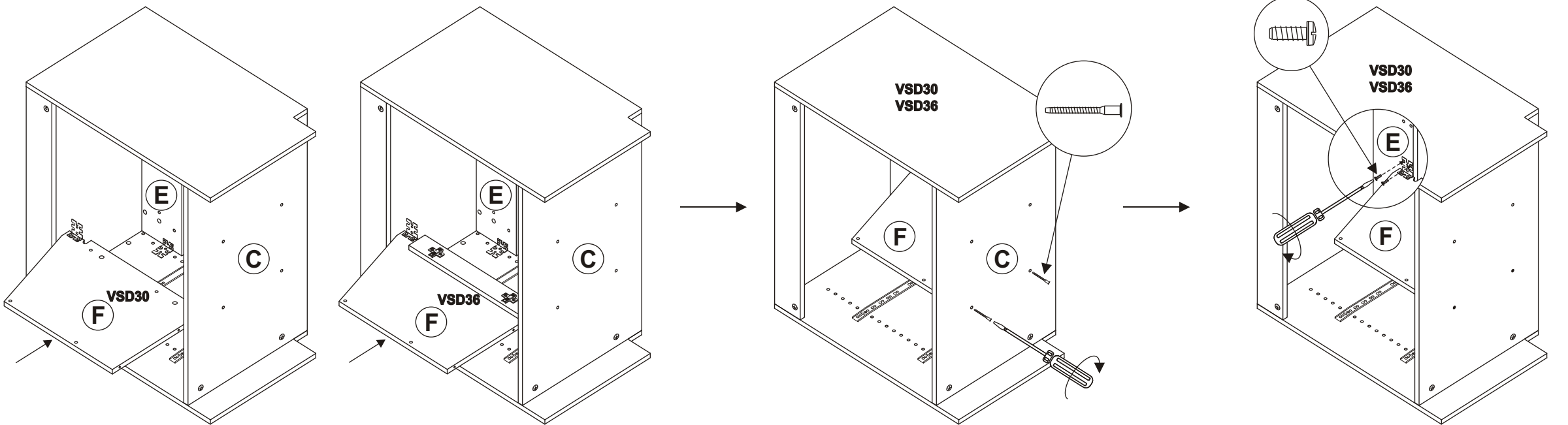


9

x 2

x 2

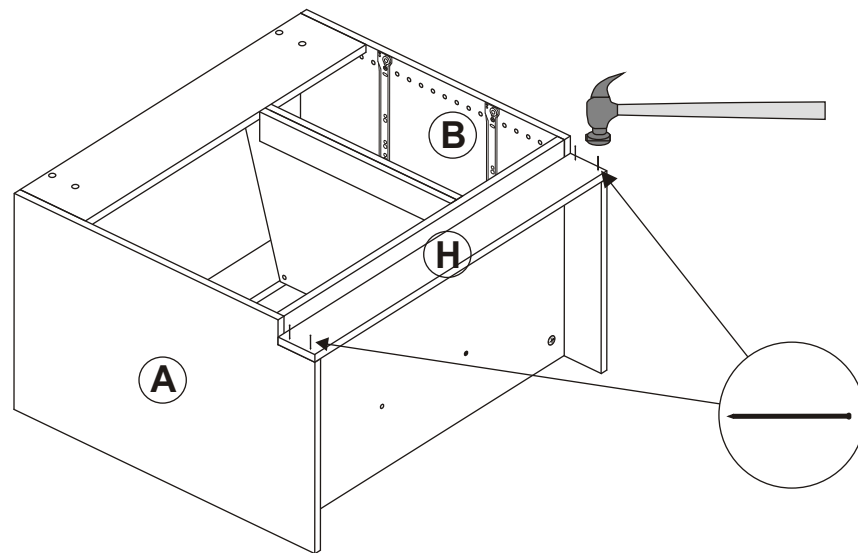
F → C, E



10

x 4

H → A, B

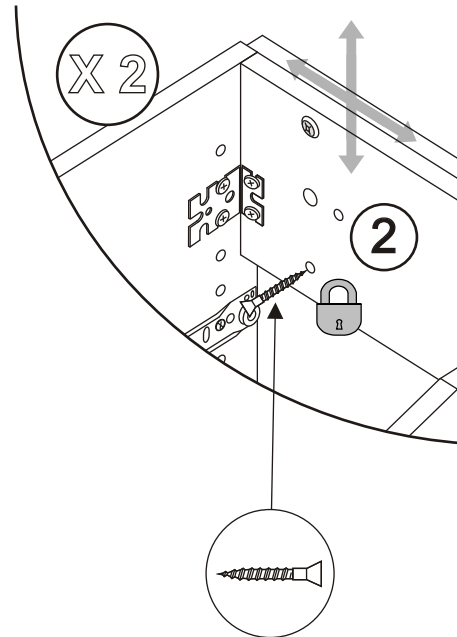
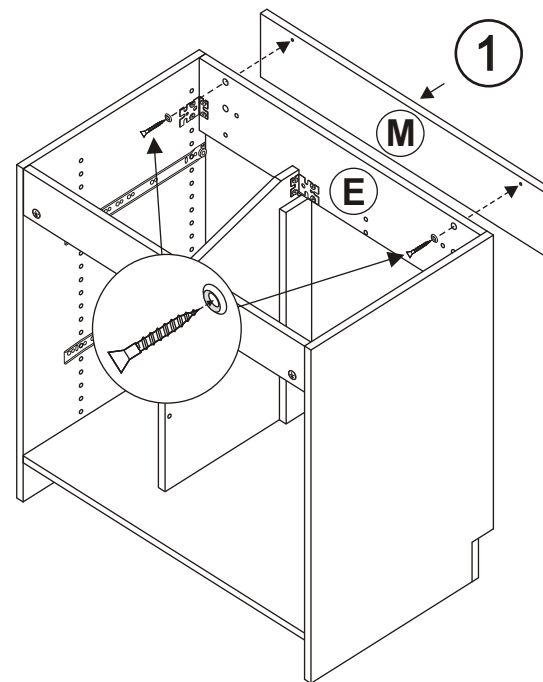


11

x 4

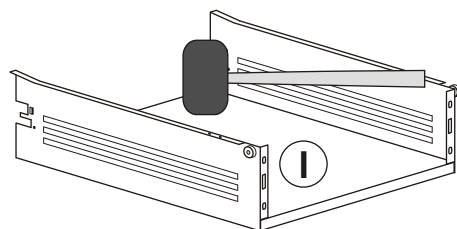
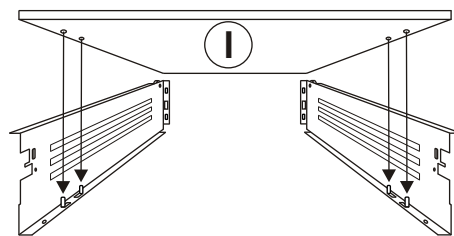
x 2

M → E



12

X 2

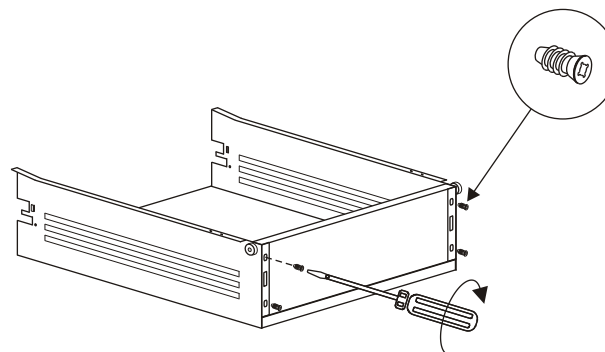
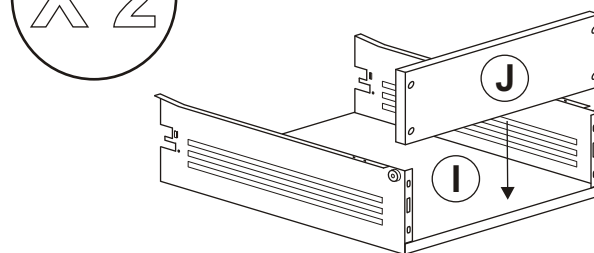


13

x 8

J → I

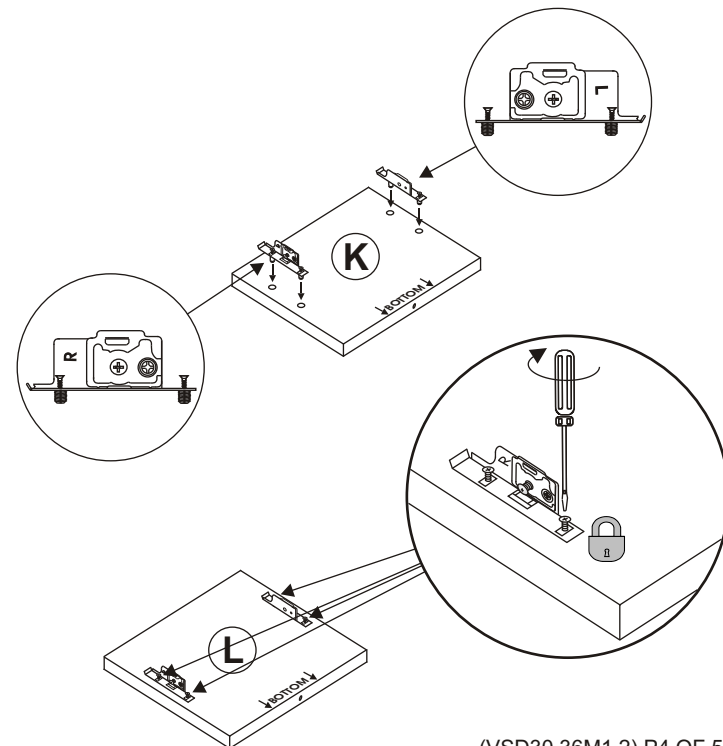
X 2



14

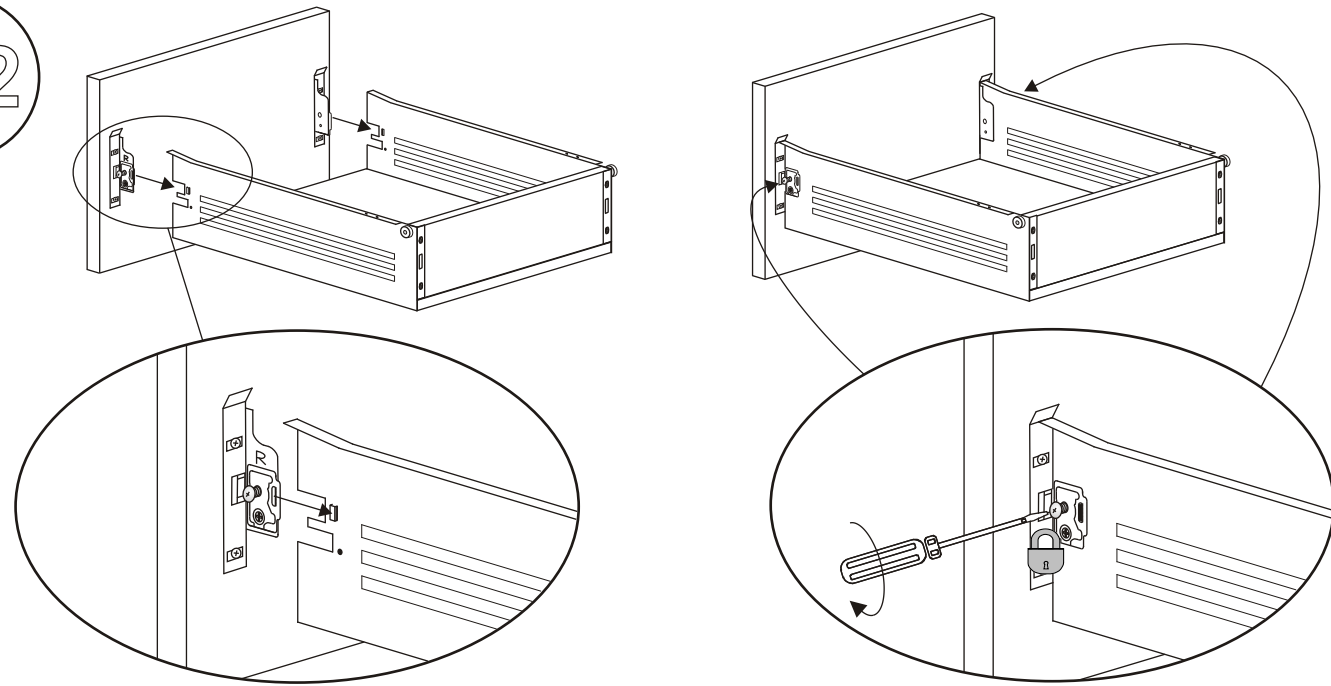
x 2

x 2

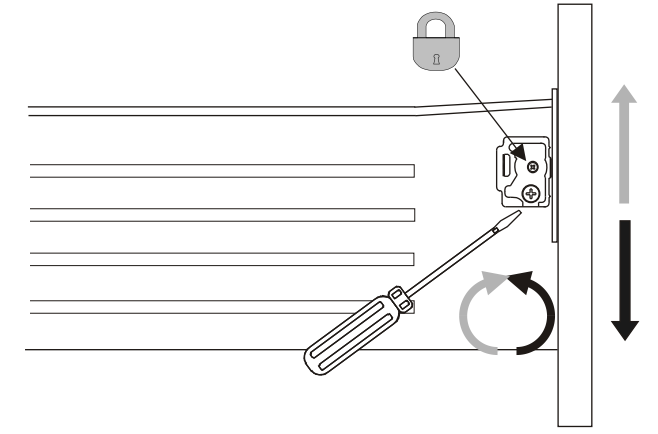


15

X 2

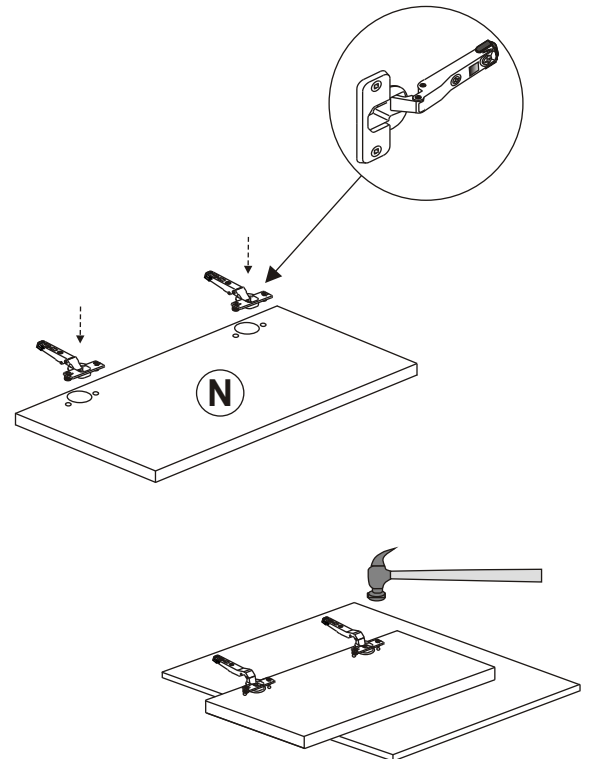


16



17

x 2  
VSD30  
x 4  
VSD36



18

